

Arm Chair Control Unit

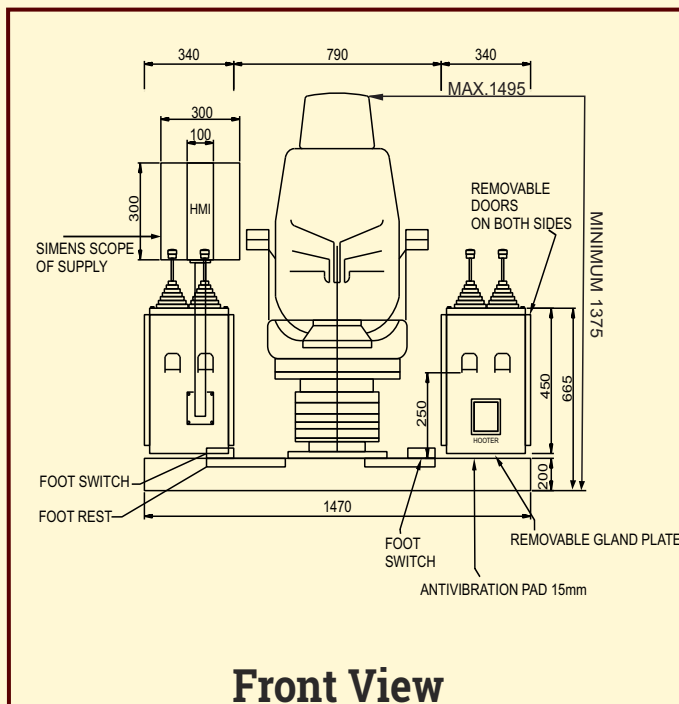


Introduction

Reliable and Compact panels on either side of the chair, fitted with highly advanced master controllers which are light in operation and smooth in functioning, combined with a high degree of precision to ensure performance.

Features

- Arm Chair Units are provided for comfort of operate cranes.
- Reliable and compact.
- Adjustable height, facility automatic latching at desired position, revolves.
- Joystick master controllers advance light in operation.
- Components of proven design include selector Switches, including lamps, push buttons, foot switches etc.
- Arm Chair control units are made as per specification to suit tailor- made.
- Powder coated painted shade as per requirement.



H. O. Unit - I : C-15/16, Nand Jyot Industrial Estate, Andheri-Kurla Road, Mumbai - 400072, Tel : (022) 42469700-30 E-mail : sales@socgroup.in

Unit - II: Plot No. 4912, G. I. D. C., Phase IV, Vatva, Ahmedabad - 382445 Tel.: (079) 400832 01/2/3/4, E-mail : sales.amd@socgroup.in

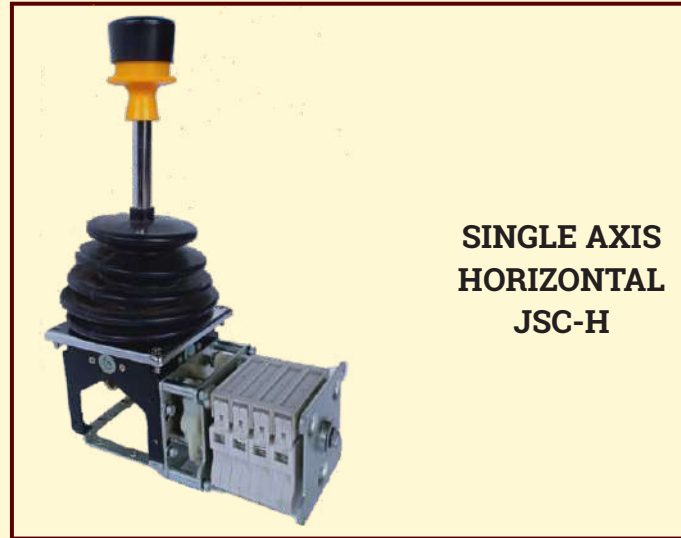
Visit us at :
www.speedocontrols.com
www.socremote.com

SPEED-O-CONTROLS PVT. LTD.
CRANE CONTROL GEAR

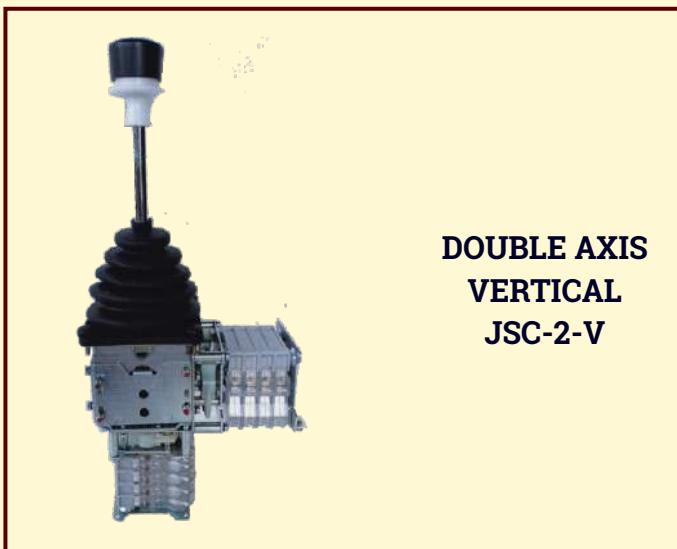
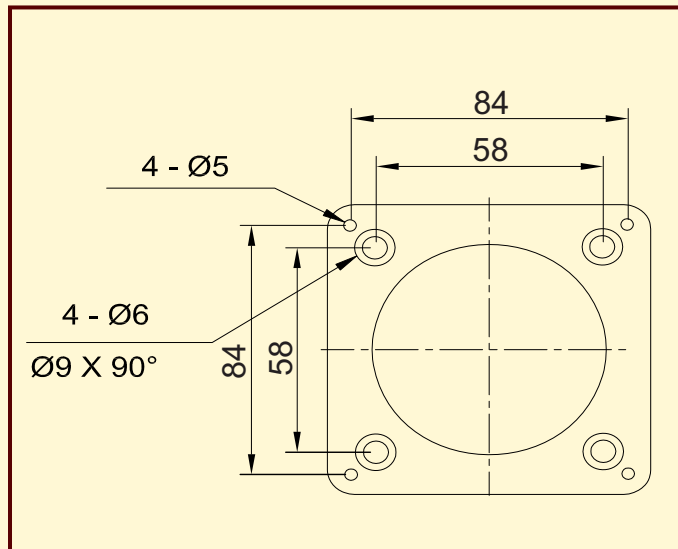
Arm Chair Control Unit



**SINGLE AXIS
VERTICAL
JSC-V**



**SINGLE AXIS
HORIZONTAL
JSC-H**



**DOUBLE AXIS
VERTICAL
JSC-2-V**



**DOUBLE AXIS
HORIZONTAL
JSC-2-H**