

JCQ-SQ MULTI-AXIS JOYSTICK CONTROLLER



JCQ-SQ series Industrial multi-axis joystick controller is mainly used in hydraulic proportional control, variable frequency motor control, remote control or electro-hydraulic applications such as Crane, Forklift, Aerial work platforms, Hoist, Civil engineering, Rotary table (drilling rig), trucks, Mobile hydraulics, Shield tunneling machine, marine, Construction machinery, Cabin vehicles, Military vehicles, military robotics, Precision machine tools, Material handling equipment etc.

TECHNICAL DATA

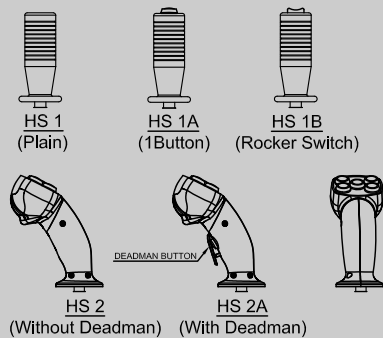
JOYSTICK MODEL	JCQ-SQ-1	JCQ-SQ-2
NUMBER OF AXIS	SINGLE / DUAL	SINGLE / DUAL
POWER SUPPLY VOLTAGE	DC24V	DC24V
NO OF STEP	STEPLESS	STEPLESS
SPRING RETURN	YES	YES
DEADMAN BUTTON	CONFIGURABLE	CONFIGURABLE
MECHANICAL ANGLE	±30° (POTENTIOMETER)	±30° (POTENTIOMETER)
MECHANICAL LIFE	5 Million	5 Million
OPERATING TEMPERATURE	-40°C TO +80°C	-40°C TO +80°C
DEGREE OF PROTECTION	IP-64	IP-64

Basic Unit	Joystick Controller	JCQ-SQ 01	V1	HS 1	5	125
JCQ-SQ	01					
JCQ-SQ	02					

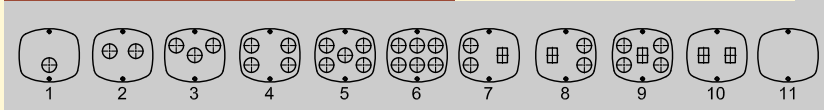
Output signal analog

V1	+5V...0...+5V
V2	+10V...0...+10V
V3	0...2.5...+5V
V4	0...5V...10V
V5	-5V...0...+5V
V6	-10V...0...+10V
I1	20mA...4mA...20mA

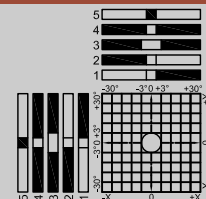
Handle



Button style for HS 2 handle



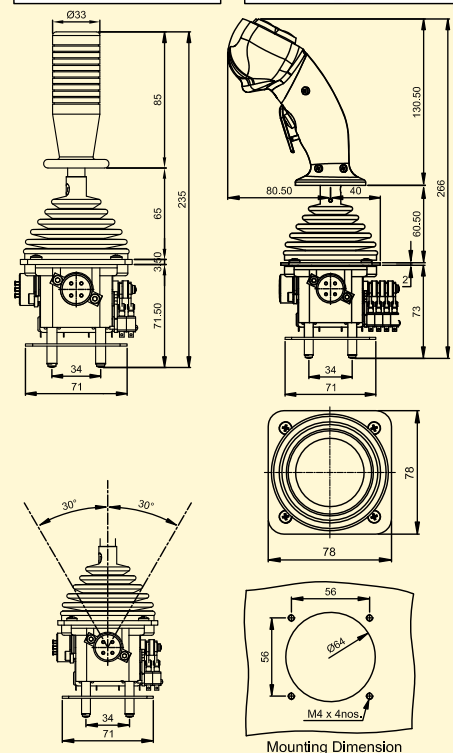
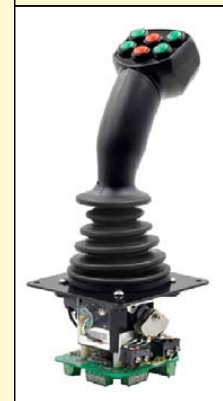
Directional switch signal closed position



Model: JCQ-SQ01



Model: JCQ-SQ02



H. O. Unit - I : C-15/16, Nand Jyot Industrial Estate, Andheri-Kurla Road, Mumbai - 400072,
Tel : (022) 42469700/730
E-mail : sales@socgroup.in

Unit - II: Plot No. 4912, G. I. D. C., Phase IV, Vatva, Ahmedabad - 382445
Tel.: (079) 68169700/702/712
E-mail : enquiry2@socgroup.in

Visit us at :
www.speedocontrols.com
www.socremote.com

SPEED-O-CONTROLS PVT. LTD.
CRANE CONTROL GEAR