

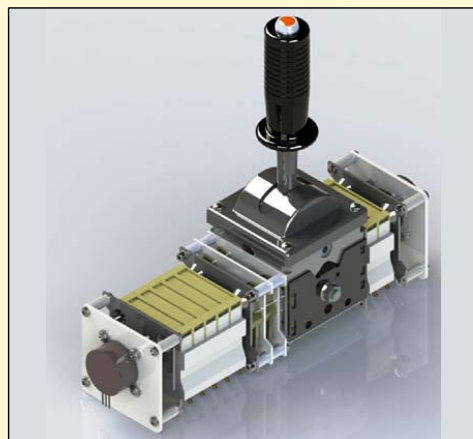
RAILWAY JOYSTICK CONTROLLER (SERIES-JSM)



JSM series Joystick controller have been Specially designed for Railway Locomotive operation. The joystick is designed to incorporate special function like Capacitive dead-man switch, Mechanical Inter-lock, Configurable electrical switching outputs and analog outputs (Current/Voltage) as per requirement.

TECHNICAL DATA

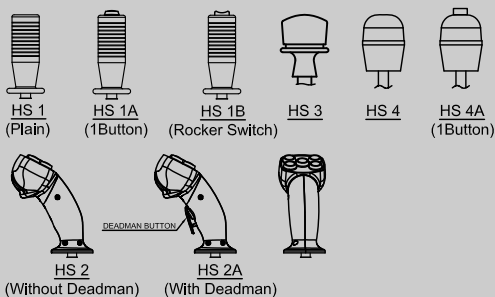
JOYSTICK MODEL	JSM
NUMBER OF AXIS	SINGLE
POWER SUPPLY VOLTAGE	DC24V
NO OF STEP	CONFIGURABLE
SPRING RETURN	YES
DEADMAN BUTTON	CONFIGURABLE
MECHANICAL ANGLE	±42°
MECHANICAL LIFE	10 Million
OPERATING TEMPERATURE	-40°C TO +80°C
DEGREE OF PROTECTION	IP-64
ENCLOSURE	CONFIGURABLE
MOUNTING PLATE	CONFIGURABLE



Basic Unit	Joystick Controller	JSM 01	II	Hs1	CS	5	4/8
JSM	01						

Output signal analog	
I1	1x current output 4-20mA
I2	2x current output 4-20mA

Handle

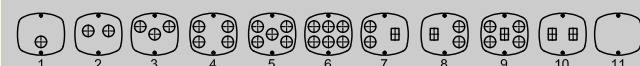


Capacitive deadman Sensor



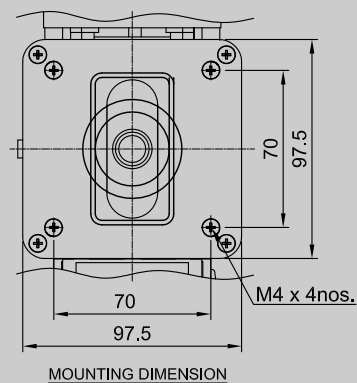
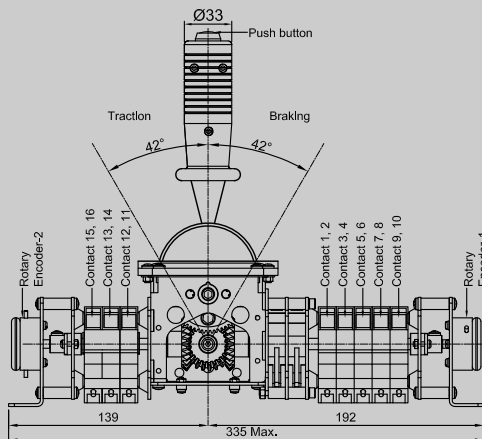
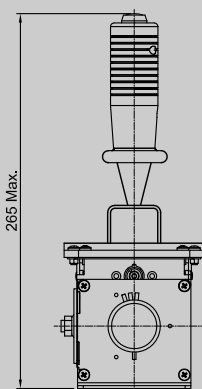
CS

Button Style for HS 2 Handle



Directional switch signal closed Position

4-0-4 / 8 CONTACT - 4 / 8				6-0-6 / 8 CONTACT - 6 / 8											
1	2	3	4	5	6	7	8	9	10	11	12	13	14	15	16
1-00-01															
2-00-02															
3-00-03															
4-00-04															
5-00-05															
6-00-06															
7-00-07															
8-00-08															



H. O. Unit - I : C-15/16, Nand Jyot Industrial Estate, Andheri-Kurla Road, Mumbai - 400072 ,
Tel : (022) 42469700/730
E-mail : sales@socgroup.in

Unit - II: Plot No. 4912, G. I. D. C., Phase IV, Vatva, Ahmedabad - 382445
Tel.: (079) 68169700/702/712
E-mail : enquiry2@socgroup.in

Visit us at :
www.speedcontrols.com
www.socremote.com

SPEED-O-CONTROLS PVT. LTD.
CRANE CONTROL GEAR